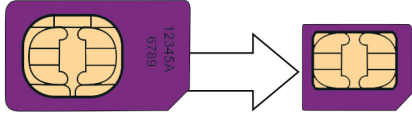
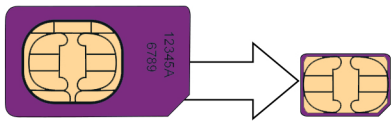
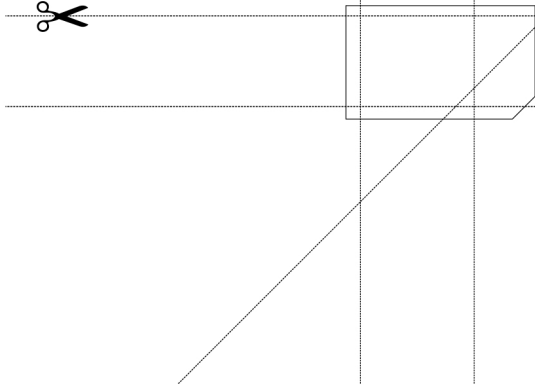


Cut Solavei SIM Cards down to Nano Size

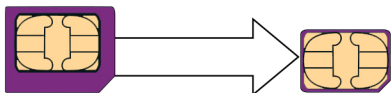
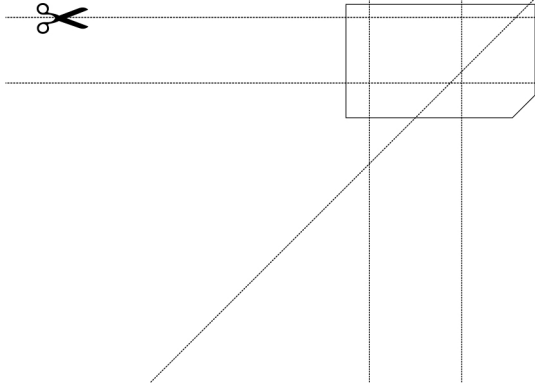
Earn **FREE** phone service at: JoinFreeWireless.com



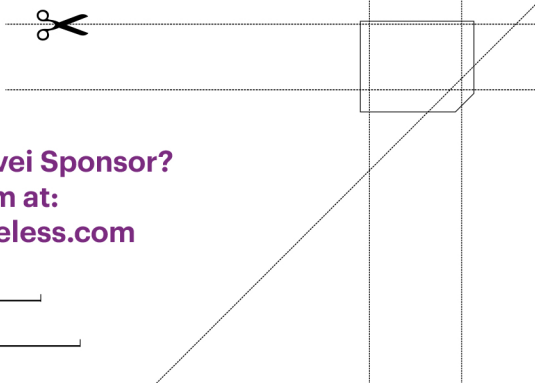
MiniSIM (2FF) to MicroSIM (3FF)



MiniSIM (2FF) to NanoSIM (4FF)



MicroSIM (3FF) to NanoSIM (4FF)



Need a Solavei Sponsor?

Join our team at:

JoinFreeWireless.com

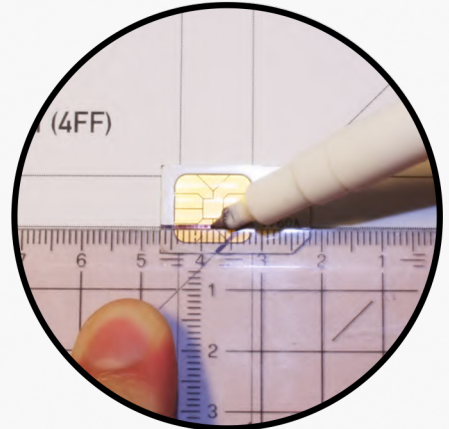
2 cm

1 inch

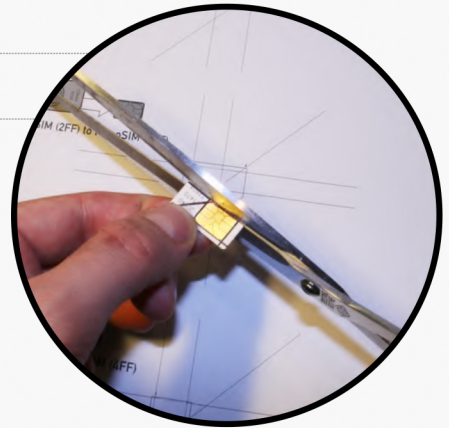
How To Cut SIM Cards

Follow these instructions at your own risk. Cutting your SIM card may destroy it!

1. Print this page at 100% scale on a DIN A4 page.
2. Fix your SIM card with double-sided tape to this template.



3. Use a ruler and a marker to draw the cut lines onto your SIM card.



4. Cut your SIM card along the drawn lines using scissors. Cutting contacts usually does not impact functionality as the actual chip below is much smaller.

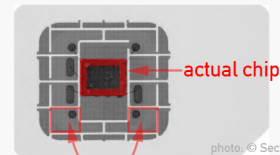


photo: © SecretDisc (CC BY-NC-SA 3.0)

5. Round the edges by grinding them with sandpaper or a file.

Including tolerance defined by ETSI specifications (+30µm/-70µm) NanoSIMs (0.67mm) are just 60µm thinner than previous SIMs (0.76mm), which corresponds to the thickness of a human hair and thus does not make a difference in practice, notably not on the iPhone 5.

release 1.11 (21 September 2012)

